

## 205S/CA Multi-Channel Cartridge Pump

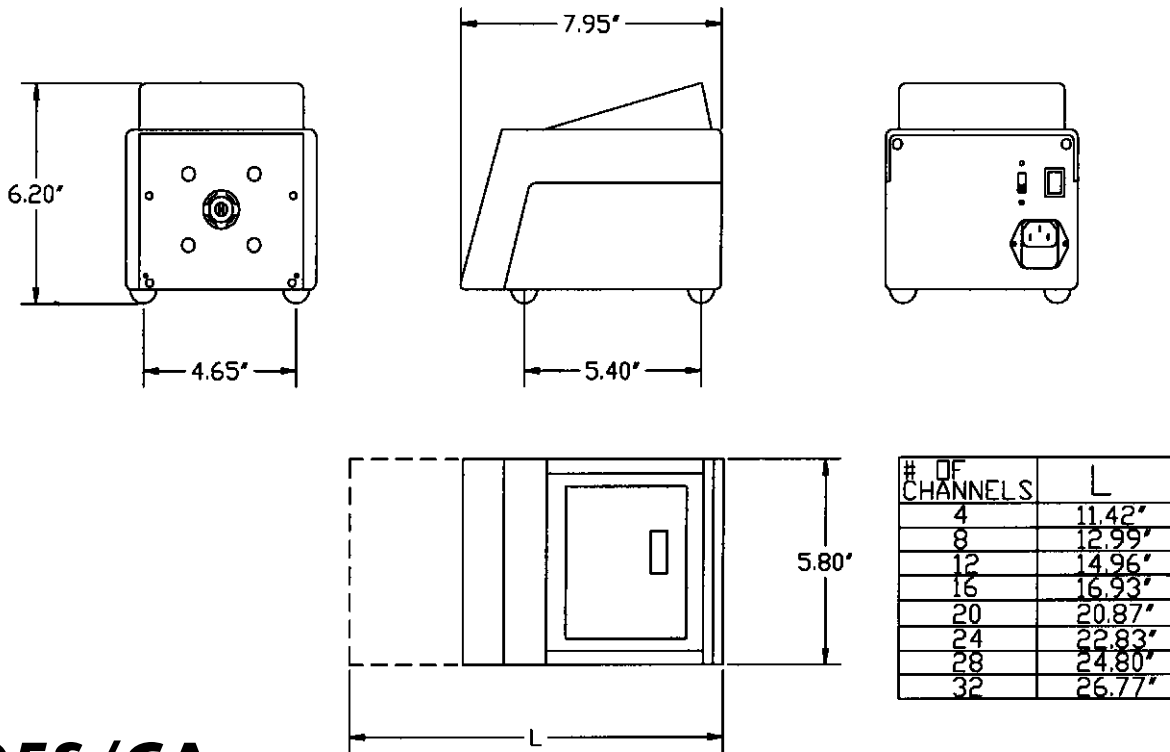


- Flow rates from 0.0003 to 21.0 mL/min
- PWM, microprocessor controlled closed loop speed regulation
- Manual speed control via membrane keypad
- Manual control of stop/start, direction and priming via membrane keypad
- Instant stop, and reverse
- LCD display of pump speed
- "Auto restart", and "Keypad lock" functions
- Fitted with 205CA 8-roller low pulse pump head
- Accepts manifold tube elements, 0.13 mm to 2.79 mm bore
- Versions from 4 to 32 channels available

### Flow rate ranges (ml/min)

Tube code	Orange/Black	Orange/Red	Orange/Blue	Orange/Green	Orange/Yellow	Orange/White	Black/Black	Orange/Orange	White/White	Red/Red
Bore mm	0.13	0.19	0.25	0.38	0.50	0.63	0.76	0.88	1.02	1.14
Bore in	0.005	0.007	0.010	0.015	0.020	0.025	0.030	0.035	0.040	0.045
0.5 rpm	0.0006	0.0009	0.0013	0.0036	0.0056	0.0083	0.011	0.016	0.012	0.026
90 rpm	0.099	0.15	0.23	0.65	1.01	1.49	2.02	2.92	3.76	4.68

Tube Code	Grey/Grey	Yellow/Yellow	Yellow/Blue	Blue/Blue	Green/Green	Purple/Purple	Purple/Black	Purple/Orange	Purple/White
Bore mm	1.29	1.42	1.52	1.65	1.85	2.05	2.38	2.54	2.79
Bore in	0.050	0.055	0.060	0.065	0.070	0.080	0.095	0.100	0.110
0.5 rpm	0.033	0.040	0.043	0.051	0.063	0.076	0.092	0.11	0.12
90 rpm	5.94	7.20	7.69	9.12	11.3	13.8	16.5	19.3	22.0



## 205S/CA Multi-Channel Cartridge Pump

### Specifications

**Shipping Weight:** 18 lbs plus 2 lbs for each additional 4 channels

**Maximum Power Consumption:** 100 VA

**Supply:** 100-120/220-240 V, 50/60 Hz

**Maximum Rotor Speeds:** 90 rpm

**Minimum Rotor Speeds:** 0.5 rpm

**Enclosure:** IP31

**Operational Temperature Range:** 5 to 40° C

**Control Ratio:** 180:1

**Noise:** < 70 dBA at 1 meter

**Standards:** CE, BSO800, IEC 335-1, EN60529(IP31)

### Product Codes:

4 channels	020.3704.00A
8 channels	020.3708.00A
12 channels	020.3712.00A
16 channels	020.3716.00A
20 channels	020.3720.00A
28 channels	020.3728.00A
32 channels	020.3732.00A

### Materials of Construction

**Cassettes:** Delrin

**Rotor:** Aluminum endplates, stainless steel rollers

**Pumphead Body:** Aluminum chassis, brass sun gear, acetal planetary gears

**Drive:** Aluminum case upper, painted steel base, polyester keypad

### Watson-Marlow Bredel Pumps

37 UPTON TECHNOLOGY PARK, WILMINGTON, MA 01887-1018  
 TEL: 978-658-6168 / FAX: 978-658-0041  
[www.watson-marlow.com](http://www.watson-marlow.com)  
[www.bredel.com](http://www.bredel.com)  
[Support@wmbpumps.com](mailto:Support@wmbpumps.com)