

205S/CA Multi-Channel Cartridge Pump

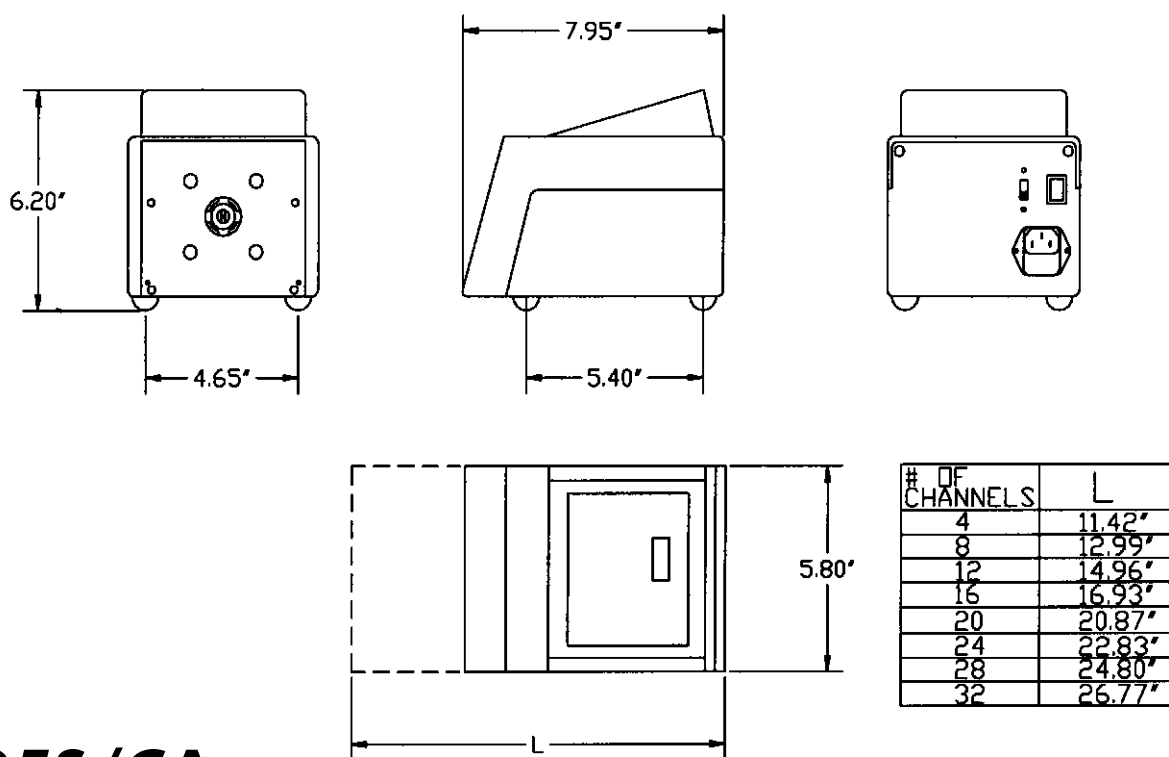


- Flow rates from 0.0003 to 21.0 mL/min
- PWM, microprocessor controlled closed loop speed regulation
- Manual speed control via membrane keypad
- Manual control of stop/start, direction and priming via membrane keypad
- Instant stop, and reverse
- LCD display of pump speed
- "Auto restart", and "Keypad lock" functions
- Fitted with 205CA 8-roller low pulse pump head
- Accepts manifold tube elements, 0.13 mm to 2.79 mm bore
- Versions from 4 to 32 channels available

Flow rate ranges (ml/min)

Tube code	Orange/ Black	Orange/ Red	Orange/ Blue	Orange/ Green	Orange/ Yellow	Orange/ White	Black/ Black	Orange/ Orange	White/ White	Red/ Red
Bore mm	0.13	0.19	0.25	0.38	0.50	0.63	0.76	0.88	1.02	1.14
Bore in	0.005	0.007	0.010	0.015	0.020	0.025	0.030	0.035	0.040	0.045
0.5 rpm	0.0006	0.0009	0.0013	0.0036	0.0056	0.0083	0.011	0.016	0.012	0.026
90 rpm	0.099	0.15	0.23	0.65	1.01	1.49	2.02	2.92	3.76	4.68

Tube Code	Grey/ Grey	Yellow/ Yellow	Yellow/ Blue	Blue/ Blue	Green/ Green	Purple/ Purple	Purple/ Black	Purple/ Orange	Purple/ White
Bore mm	1.29	1.42	1.52	1.65	1.85	2.05	2.38	2.54	2.79
Bore in	0.050	0.055	0.060	0.065	0.070	0.080	0.095	0.100	0.110
0.5 rpm	0.033	0.040	0.043	0.051	0.063	0.076	0.092	0.11	0.12
90 rpm	5.94	7.20	7.69	9.12	11.3	13.8	16.5	19.3	22.0



205S/CA Multi-Channel Cartridge Pump

Specifications

Shipping Weight: 18 lbs plus 2 lbs for each additional 4 channels
Maximum Power Consumption: 100 VA
Supply: 100-120/220-240 V, 50/60 Hz
Maximum Rotor Speeds: 90 rpm
Minimum Rotor Speeds: 0.5 rpm
Enclosure: IP31
Operational Temperature Range: 5 to 40° C
Control Ratio: 180:1
Noise: < 70 dBA at 1 meter
Standards: CE, BSO800, IEC 335-1, EN60529(IP31)

Materials of Construction

Cassettes: Delrin
Rotor: Aluminum endplates, stainless steel rollers
Pumphead Body: Aluminum chassis, brass sun gear, acetal planetary gears
Drive: Aluminum case upper, painted steel base, polyester keypad

Product Codes:

4 channels	020.3704.00A
8 channels	020.3708.00A
12 channels	020.3712.00A
16 channels	020.3716.00A
20 channels	020.3720.00A
28 channels	020.3728.00A
32 channels	020.3732.00A

000 «Диаэм»

Москва
 ул. Магаданская, д. 7, к. 3 ■ тел./факс: (495) 745-0508 ■ sales@dia-m.ru

www.dia-m.ru

С.-Петербург
 +7 (812) 372-6040
 spb@dia-m.ru

Новосибирск
 +7 (383) 328-0048
 nsk@dia-m.ru

Воронеж
 +7 (473) 232-4412
 vrn@dia-m.ru

Йошкар-Ола
 +7 (927) 880-3676
 nba@dia-m.ru

Красноярск
 +7 (923) 303-0152
 krsk@dia-m.ru

Казань
 +7 (843) 210-2080
 kazan@dia-m.ru

Ростов-на-Дону
 +7 (863) 303-5500
 rnd@dia-m.ru

Екатеринбург
 +7 (912) 658-7606
 ekb@dia-m.ru

Кемерово
 +7 (923) 158-6753
 kemerovo@dia-m.ru

Армения
 +7 (094) 01-0173
 armenia@dia-m.ru

